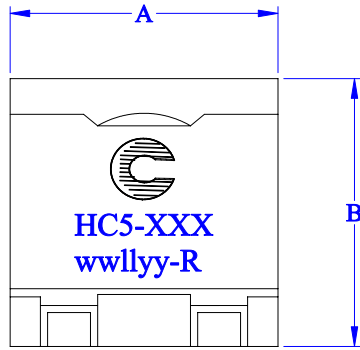
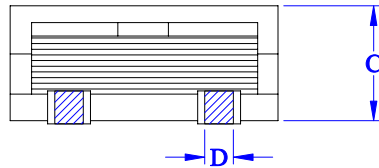


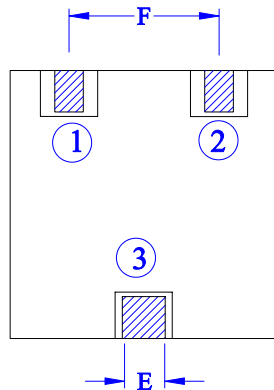
### TOP VIEW



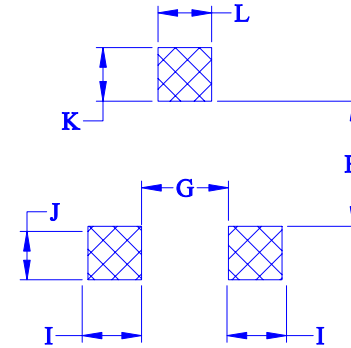
### FRONT VIEW



### BOTTOM VIEW



### RECOMMENDED PCB LAYOUT



### DIMENSION TABLE

A: 12.50 ±0.80	G: 4.00 Ref.
B: 12.50 ±0.60	H: 7.00 Ref.
C: 5.30 ±0.50	I: 3.00 Ref.
D: 2.00 ±0.20	J: 3.30 Ref.
E: 2.60 ±0.20	K: 3.30 Ref.
F: 7.00 ±0.50	L: 3.00 Ref.

### SCHEMATIC



- Notes:**
- All dimensions are in millimeters unless otherwise noted.
  - Stamping: Coiltronics Logo  
(HC5-xxx) Last 3 characters = Inductance in  $\mu\text{H}$ . R=decimal point.  
If no R is present third character = # of zeros.  
wwllyy = (Date Code) R= (Revision Level)
  - RoHS Compliant

### Cooper Electronic Technologies

3601 Quantum Boulevard Boynton Beach, Florida 33426.

Inductor Shielded SMD Power (HC5)  
Family Drawing

Size	Drawing Number:	HC5-5 Inductor Line
A	Revision Level:	A Sheet 4 of 4

## CUSTOMER INFORMATION

Part Number	Rated Inductance ( $\mu\text{H}$ )	OCL nominal ( $\mu\text{H}$ ) @20°C			<u>I RMS</u> (Amp) Max.	<u>I SAT</u> (Amp)	DCR (m $\Omega$ ) max @ 20°C.
HC5-R30	0.30	0.32± 20 %			35	50	1.0
HC5-R60	0.60	0.72± 20%			24	34	2.0
HC5-1R0	1.0	0.95± 20%			21	27	2.0
HC5-1R5	1.5	1.68± 20%			17	20	3.3
HC5-2R2	2.2	2.63± 20%			14	16	5.6
HC5-3R3	3.3	3.45± 20%			11	13	5.6
HC5-4R7	4.7	4.75± 20%			8	10	5.6
HC5-8R2	8.2	8.55± 20%			3	4	5.6

**Electrical Requirement Notes:** 1) Test Frequency: 100KHz 0.1V    2) DCR @ 20°C

**General Specifications:**  
 a) Temp. Rise: 40°C Max @ Irms rating.  
 b)  $\Delta L(I_{sat} 2)/L(0A) = 30\%$  Typicl  
 c) Storage Temp.: -40°C~ +105°C  
 d) Operating Temp.: -25°C~ +125°C  
 e) Resistance to Solder Heat: 260°C for 10 secs.  
 Parts available in Tape and Reel. 13” diameter reel : 600 parts per reel.

Option Code (Suffix)	Description
-R	RoHS Compliant Version

**Cooper Electronic Technologies**  
 3601 Quantum Blvd, Boynton Beach, FL 33426  
 Inductor Shielded SMD Power (HC5)  
 Family Drawing

SIZE A	Drawing Number: Revision Level:	<b>HC5-R Inductor Line</b> A    Sheet 3 of 12
-----------	------------------------------------	--